

**TABLE OF CONTENTS**

**SOLDER (SERIES 7700S) ..... 1**  
**SOLDER STOP AND WASTE (SERIES 7700SW) ..... 2**  
**SOLDER WITH HOSE CHAIN (SERIES 7700SH) ..... 3**  
**THREADED (SERIES 7700T) ..... 4**  
**THREADED STOP AND WASTE (SERIES 7700TW) ..... 5**  
**THREADED T-HANDLE (SERIES 7700TT) ..... 6**  
**PRESS (SERIES 7700PRS) ..... 7**  
**F1960 PEX (SERIES 7700EX) ..... 8**  
**F1807 PEX (SERIES 7700PX) ..... 9**

## SERIES 7700S Lead Free Brass Ball Valve Solder with Packing Gland

### PRODUCT DATA

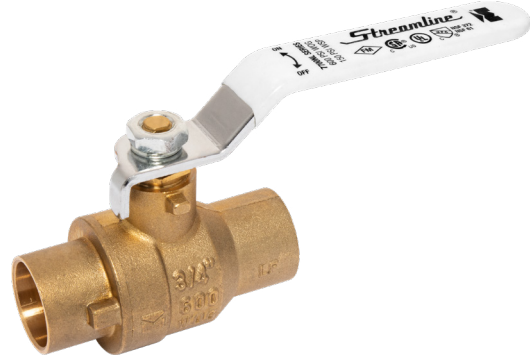
- 600PSI/150 WSP (1/2"-2")
- 400PSI Non-Shock WOG (2-1/2" - 4")
- -20°F to 300°F temperature range
- Full port for maximum flow rate
- Packing Gland - blowout-proof stem design
- PTFE seat & packing
- Rust-resistant heavy-duty handle with vinyl grip

### APPROVALS:

- CSA Approved for Water (1/2" - 4")
- NSF-ANSI 61
- NSF-ANSI 372
- IAPMO/ANSI Z1157
- FM (1/2" - 2")
  - FM Approvals, Class 1140
- UL Listed (1/2" - 4")
  - 600 PSI (1/2" - 1")
  - 300 PSI (1-1/4" - 2")
  - 250 PSI (2-1/2" - 4")
- Complies with ANSI B16.22
- MSS-SP 110 Compliant



MSS  
SP 110

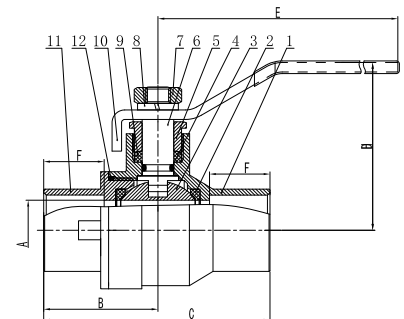


### MATERIAL SPECIFICATIONS

NUMBER	DESCRIPTION	MATERIAL
1	Body	Lead Free Brass
2	Seat	PTFE
3	Ball	Stainless Steel
4	O-Ring	NBR
5	Packing Nut	Brass
6	Stem	Brass (1/2"-2")
		Stainless Steel (2-1/4"-4")
7	Handle Nut	Plated Steel
8	Lock Washer	Plated Steel
9	Packing	PTFE
10	Handle	Plated Steel
11	Cap	Lead Free Brass
12	O-Ring	Viton

### DIMENSIONAL INFORMATION

PART NO.	SIZE (IN.)	A	B	C	D	E	F	WT (LBS.)
117-843	1/2	0.551	0.992	1.984	1.77	3.46	0.504	0.348
117-844	3/4	0.748	1.421	2.81	2.09	4.29	0.752	0.692
117-845	1	0.984	1.66	3.34	2.25	4.29	0.909	1.052
117-846	1-1/4	1.259	1.996	3.91	2.52	5.63	0.972	1.614
117-847	1-1/2	1.574	2.252	4.46	2.74	5.63	1.091	2.231
117-848	2	1.941	2.756	5.45	3.03	6.10	1.343	3.583
117-849	2-1/2	2.520	3.209	6.42	4.25	7.76	1.484	6.768
117-850	3	2.893	3.602	7.15	4.58	8.19	1.661	9.412
117-851	4	3.838	4.783	9.57	5.49	8.78	2.232	18.697



## SERIES 7700SW

### Lead Free Brass Ball Valve

Solder Stop and Waste with Packing Gland

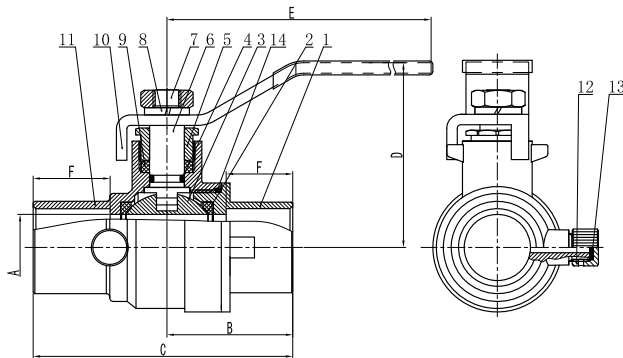
#### PRODUCT DATA

- 600PSI/150 WSP (1/2"-2")
- -20°F to 300°F temperature range
- Full port for maximum flow rate
- Packing Gland - blowout-proof stem design
- PTFE seat & packing
- Drain port
- Rust-resistant heavy-duty handle with vinyl grip



#### APPROVALS:

- CSA Approved for Water
- NSF-ANSI 61
- NSF-ANSI 372
- IAPMO/ANSI Z1157
- NSF-ANSI 14



#### MATERIAL SPECIFICATIONS

NUMBER	DESCRIPTION	MATERIAL
1	Cap	Lead Free Brass
2	Seat	PTFE
3	Ball	Stainless Steel
4	O-Ring	NBR
5	Packing Nut	Brass
6	Stem	Brass
7	Handle Nut	Plated Steel
8	Lock Washer	Plated Steel
9	Packing	PTFE
10	Handle	Plated Steel
11	Body	Lead Free Brass
12	O-Ring	Viton
13	Screw	Brass
14	Gasket	EPDM

#### DIMENSIONAL INFORMATION

PART NO.	SIZE (IN.)	A	B	C	D	E	F	WT (LBS.)
117-553	1/2	0.591	1.138	2.30	1.81	3.46	0.504	0.432
117-554	3/4	0.748	1.421	2.93	2.09	4.29	0.752	0.725
117-555	1	0.984	1.66	3.37	2.25	4.29	0.909	1.074

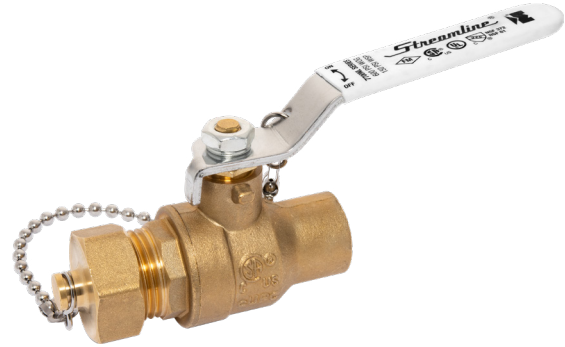
## SERIES 7700SH

### Lead Free Brass Ball Valve

Solder with Hose Chain and Packing Gland

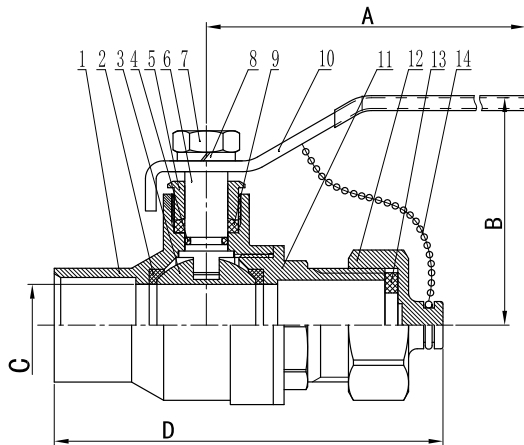
#### PRODUCT DATA

- 600PSI/150 WSP (1/2"-2")
- -20°F to 300°F temperature range
- Full port for maximum flow rate
- Packing Gland - blowout-proof stem design
- PTFE seat & packing
- Hose end connection
- Rust-resistant heavy-duty handle with vinyl grip



#### APPROVALS:

- ANSI B16.22 SOLDER
- CSA Approved for Water
- IAPMO/ANSI Z1157
- NSF-ANSI 61
- NSF-ANSI 372



#### MATERIAL SPECIFICATIONS

NUMBER	DESCRIPTION	MATERIAL
1	Body	Lead Free Brass
2	Seat	PTFE
3	Ball	Stainless Steel
4	O-Ring	NBR
5	Packing Nut	Brass
6	Stem	Brass
7	Handle Nut	Plated Steel
8	Lock Washer	Plated Steel
9	Packing	PTFE
10	Handle	Plated Steel
11	Cap	Lead Free Brass
12	Copper Nut	Brass
13	Gasket	EPDM
14	Bead-Chain	Plated Steel

#### DIMENSIONAL INFORMATION

PART NO.	SIZE (IN.)	A	B	C	D	WT (LBS.)
117-943	1/2	3.464	1.811	0.591	3.070	0.569
117-944	3/4	4.291	2.094	0.748	3.543	0.831
117-945	1	4.291	2.251	0.984	3.858	1.213

## SERIES 7700T Lead Free Brass Ball Valve Threaded with Packing Gland

### PRODUCT DATA

- 600PSI/150 WSP (1/2"-2")
- 400PSI Non-Shock WOG (2-1/2" - 4")
- -20°F to 300°F temperature range
- Full port for maximum flow rate
- Packing Gland - blowout-proof stem design
- PTFE seat & packing
- Rust-resistant heavy-duty handle



### APPROVALS:

- NSF-ANSI 61/372
- IAPMO/ANSI Z1157
- CSA Approved for Gas (1/4" - 2")
  - CSA/ANSI Z21.15:21 - CSA 9.1:21 (.5 PSIG)
  - CGA Requirement CR91-002 - ASME B16.44-2012 (2 & 5 PSIG)
  - CSA 3.16-2015 - ASME B16.33-2012 - ASME B16.38-2012 (125 PSIG)
  - ASME B16.33-2012 - I.R. NO.60 (175 PSIG)
- CSA Approved for Water (1/4" - 4")
- UL Listed
  - 600 PSI (1/2" - 1")
  - 300 PSI (1-1/4" - 2")
  - 250 PSI (2-1/2" - 4")
- FM Approved (1/4" - 2") - Class 1140
- Complies with ANSI B1.20.1
- MSS-SP 110 Compliant

### MATERIAL SPECIFICATIONS

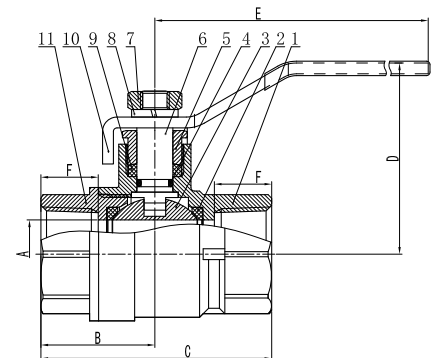
NUMBER	DESCRIPTION	MATERIAL
1	Body	Lead Free Brass
2	Seat	PTFE
3	Ball	Stainless Steel
4	O-Ring	NBR
5	Packing Nut	Brass
6	Stem	Brass (1/4"-2") Stainless Steel (2-1/2"-4")
7	Handle Nut	Plated Steel
8	Lock Washer	Plated Steel
9	Packing	PTFE
10	Handle	Plated Steel
11	Cap	Lead Free Brass



MSS  
SP 110

### DIMENSIONAL INFORMATION

PART NO.	SIZE (IN.)	A	B	C	D	E	F	WT (LBS.)
117-821	1/4	0.394	0.866	1.73	1.68	3.46	0.453	0.304
117-822	3/8	0.394	0.866	1.75	1.68	3.46	0.472	0.313
117-823	1/2	0.551	1.039	2.12	1.77	3.46	0.551	0.397
117-824	3/4	0.748	1.244	2.52	2.09	4.29	0.626	0.769
117-825	1	0.984	1.476	2.97	2.25	4.29	0.748	1.144
117-826	1-1/4	1.259	1.732	3.44	2.52	5.63	0.768	1.777
117-827	1-1/2	1.574	1.949	3.88	2.74	5.63	0.783	2.308
117-828	2	1.941	2.165	4.29	3.03	6.10	0.768	3.578
117-829	2-1/2	2.520	2.776	5.53	4.25	7.76	1.063	7.238
117-830	3	2.893	3.071	6.14	4.58	8.19	1.142	10.029
117-831	4	3.838	3.878	7.79	5.49	8.78	1.378	19.286



## SERIES 7700TW

### Lead Free Brass Ball Valve

Threaded, Stop and Waste with Packing Gland

#### PRODUCT DATA

- 600PSI/150 WSP (1/2"-2")
- -20°F to 300°F temperature range
- Full port for maximum flow rate
- Packing Gland - blowout-proof stem design
- PTFE seat & packing
- Drain port
- Rust-resistant heavy-duty handle with vinyl grip



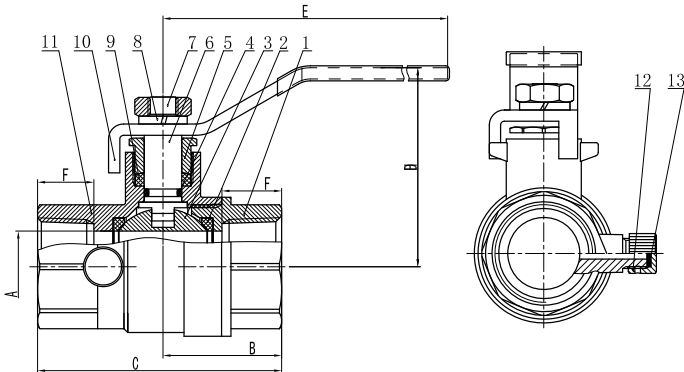
#### APPROVALS:

- CSA Approved for water
- NSF-ANSI 61
- NSF-ANSI 372
- IAPMO/ANSI Z1157
- NSF-ANSI 14



#### MATERIAL SPECIFICATIONS

NUMBER	DESCRIPTION	MATERIAL
1	Cap	Lead Free Brass
2	Seat	PTFE
3	Ball	Stainless Steel
4	O-Ring	NBR
5	Packing Nut	Brass
6	Stem	Brass
7	Handle Nut	Plated Steel
8	Lock Washer	Plated Steel
9	Packing	PTFE
10	Handle	Plated Steel
11	Body	Lead Free Brass
12	O-Ring	Viton
13	Screw	Brass



#### DIMENSIONAL INFORMATION

PART NO.	SIZE (IN.)	A	B	C	D	E	F	WT (LBS.)
117-753	1/2	0.591	1.118	2.32	1.81	3.46	0.606	0.505
117-754	3/4	0.748	1.244	2.56	2.09	4.29	0.626	0.8
117-755	1	0.984	1.476	3.99	2.25	4.29	0.748	1.184

## SERIES 7700TT

### Lead Free Brass Ball Valve

Threaded with 'T-Handle' and Packing Gland

#### PRODUCT DATA

- 600PSI/150 WSP (1/2" - 2")
- 400 PSI Non-Shock WOG (2-1/2" - 4")
- -20°F to 300°F temperature range
- Full port for maximum flow rate
- Packing Gland - blowout proof stem design
- PTFE seat & packing
- Chrome-plated brass ball & stem
- Stainless T-Handle



#### APPROVALS:

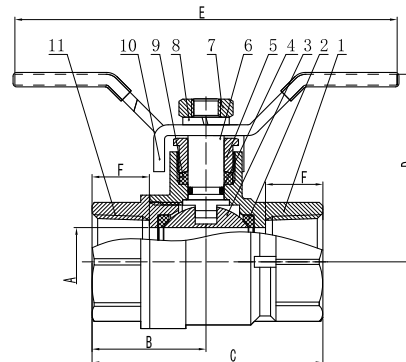
- NSF-ANSI 61/372
- IAPMO/ANSI Z1157
- CSA Approved for Gas (1/4" - 2")
  - CSA/ANSI Z21.15:21 - CSA 9.1:21 (.5 PSIG)
  - CGA Requirement CR91-002 - ASME B16.44-2012 (2 & 5 PSIG)
  - CSA 3.16-2015 - ASME B16.33-2012 - ASME B16.38-2012 (125 PSIG)
  - ASME B16.33-2012 - I.R. NO.60 (175 PSIG)
- CSA Approved for Water (1/4" - 4")
- UL Listed
  - 600 PSI (1/2" - 1")
  - 300 PSI (1-1/4" - 2")
  - 250 PSI (2-1/2" - 4")
- FM Approved (1/4" - 2") - Class 1140
- Complies with ANSI B1.20.1
- MSS-SP 110 Compliant



MSS  
SP 110

#### MATERIAL SPECIFICATIONS

NUMBER	DESCRIPTION	MATERIAL
1	Body	Lead Free Brass
2	Seat	PTFE
3	Ball	Stainless Steel
4	O-Ring	NBR
5	Packing Nut	Brass
6	Stem	Brass
7	Handle Nut	Stainless Steel
8	Lock Washer	Stainless Steel
9	Packing	PTFE
10	Handle	Stainless Steel
11	Cap	Lead Free Brass



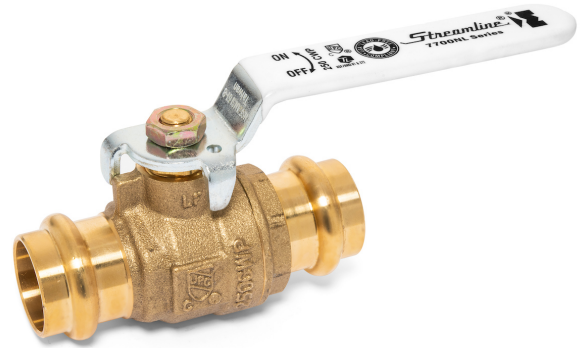
#### DIMENSIONAL INFORMATION

PART NO.	SIZE (IN.)	A	B	C	D	E	F	WT (LBS.)
117-823T	1/2	0.551	1.039	2.12	1.49	3.070	3.070	0.569
117-824T	3/4	0.748	1.244	2.52	2.05	3.543	3.543	0.831
117-825T	1	0.984	1.476	2.97	2.37	3.858	3.858	1.213

**SERIES 7700PRS**  
**Lead Free Brass Ball Valve**  
Press with Packing Gland

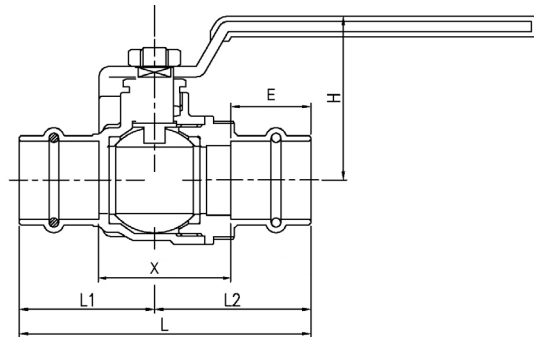
**PRODUCT DATA**

- 250 PSI CWP MAC
- -20°F – 250°F Temperature Range
- Full port for maximum flow rate
- Packing gland blowout proof system
- Reinforced PTFE seat rings
- Leak-before-press detection feature



**APPROVALS:**

- ANSI/ASME B16.51
- NSF/ANSI 61
- NSF/ANSI 372
- cUPC



**DIMENSIONAL INFORMATION**

PART NO.	SIZE (IN.)	L	H	X	A	E	L1	L2	WT (LBS.)
117-723PV	1/2	2.72	1.50	1.30	3.15	0.71	1.26	1.46	.40
117-724PV	3/4	3.31	1.85	1.50	4.33	0.91	1.54	1.77	0.77
117-725PV	1	3.62	2.05	1.73	4.33	0.95	1.69	1.93	1.04
117-726PV	1-1/4	4.96	2.56	2.13	5.12	1.42	2.44	2.52	1.52
117-727PV	1-1/2	3.98	2.36	1.93	5.12	1.02	1.93	2.05	2.18
117-728PV	2	5.95	3.11	2.80	7.87	1.58	2.91	3.03	4.08
117-729PV	2-1/2	7.56	3.54	4.25	7.87	1.65	3.78	3.78	8.31
117-730PV	3	8.23	3.90	4.41	7.87	1.91	4.13	4.13	12.13
117-731PV	4	8.66	3.90	3.82	7.87	2.42	4.33	4.33	17.44



**SERIES 7700EX**  
**Lead Free Brass Ball Valve**  
F1960 PEX with packing gland

**PRODUCT DATA**

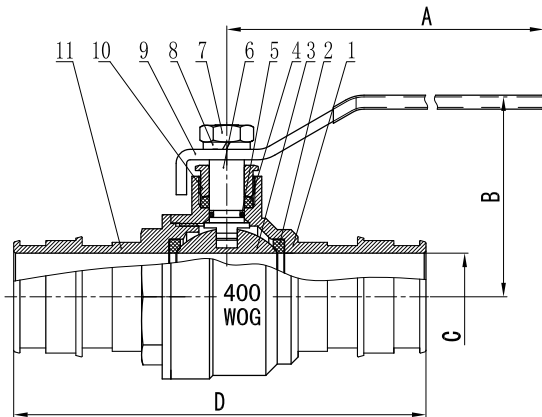
- 400PSI Non-Shock CWP
- 180°F max temperature
- Full port for maximum flow rate
- Packing Gland - blowout-proof stem design
- PTFE seat & packing
- Rust-resistant heavy-duty handle with vinyl grip

**APPROVALS:**

- ASTM F1960
- NSF-ANSI 14
- NSF-ANSI 61
- NSF-ANSI 372
- IAPMO/ANSI Z1157



ASTM  
F1960



**MATERIAL SPECIFICATIONS**

NUMBER	DESCRIPTION	MATERIAL
1	Body	Lead Free Brass
2	Seat	PTFE
3	Ball	Stainless Steel
4	Packing	PTFE
5	O-Ring	NBR
6	Stem	Brass
7	Handle Nut	Plated Steel
8	Lock Washer	Plated Steel
9	Handle	Plated Steel
10	Packing Nut	Brass
11	Cap	Lead Free Brass

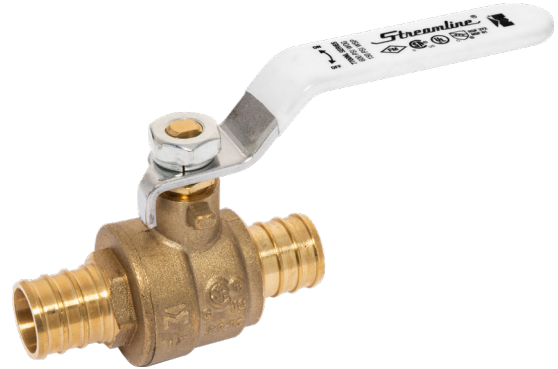
**DIMENSIONAL INFORMATION**

PART NO.	SIZE (IN.)	A	B	C	D	WT (LBS.)
117-353	1/2	3.464	1.681	0.394	2.578	0.317
117-354	3/4	3.464	1.811	0.611	3.307	0.487
117-355	1	4.291	2.094	0.812	3.976	0.833
117-356	1-1/4	4.291	2.251	0.984	4.645	1.254
117-357	1-1/2	5.631	2.448	1.103	5.511	1.861
117-358	2	5.631	2.744	1.575	6.909	2.978

**SERIES 7700PX**  
**Lead Free Brass Ball Valve**  
F1807 PEX with packing gland

**PRODUCT DATA**

- 400 PSI CWP Max
- 180° F Max Temperature
- Full port for maximum flow rate
- Adjustable stem packing gland
- PTFE stem packing seal, thrust washer, and seats
- Heavy-duty, rust-resistant handle with vinyl grip

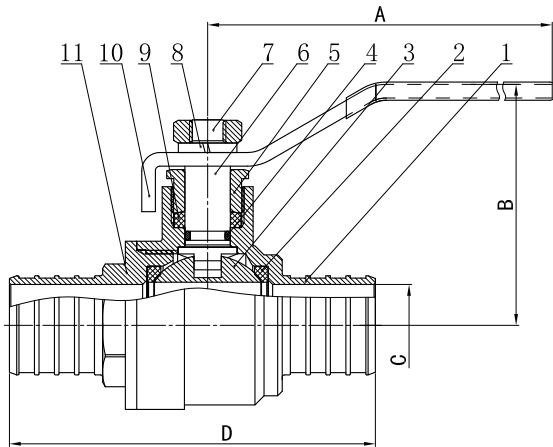


**APPROVALS:**

- ASTM F1807
- NSF-ANSI 14
- NSF-ANSI 61
- NSF-ANSI 372
- CSA Approved for Water
- IAPMO/ANSI Z1157



**MATERIAL SPECIFICATIONS**



NUMBER	DESCRIPTION	MATERIAL
1	Body	Lead Free Brass
2	Seat	PTFE
3	Ball	Stainless Steel
4	O-Ring	NBR
5	Packing Nut	Brass
6	Stem	Brass
7	Handle Nut	Plated Steel
8	Lock Washer	Plated Steel
9	Packing	PTFE
10	Handle	Plated Steel
11	Cap	Lead Free Brass

**DIMENSIONAL INFORMATION**

PART NO.	SIZE (IN.)	A	B	C	D	WT (LBS.)
117-343	1/2	3.464	1.641	0.354	2.440	0.269
117-344	3/4	3.464	1.811	0.531	2.578	0.408
117-345	1	4.291	2.094	0.713	3.169	0.666